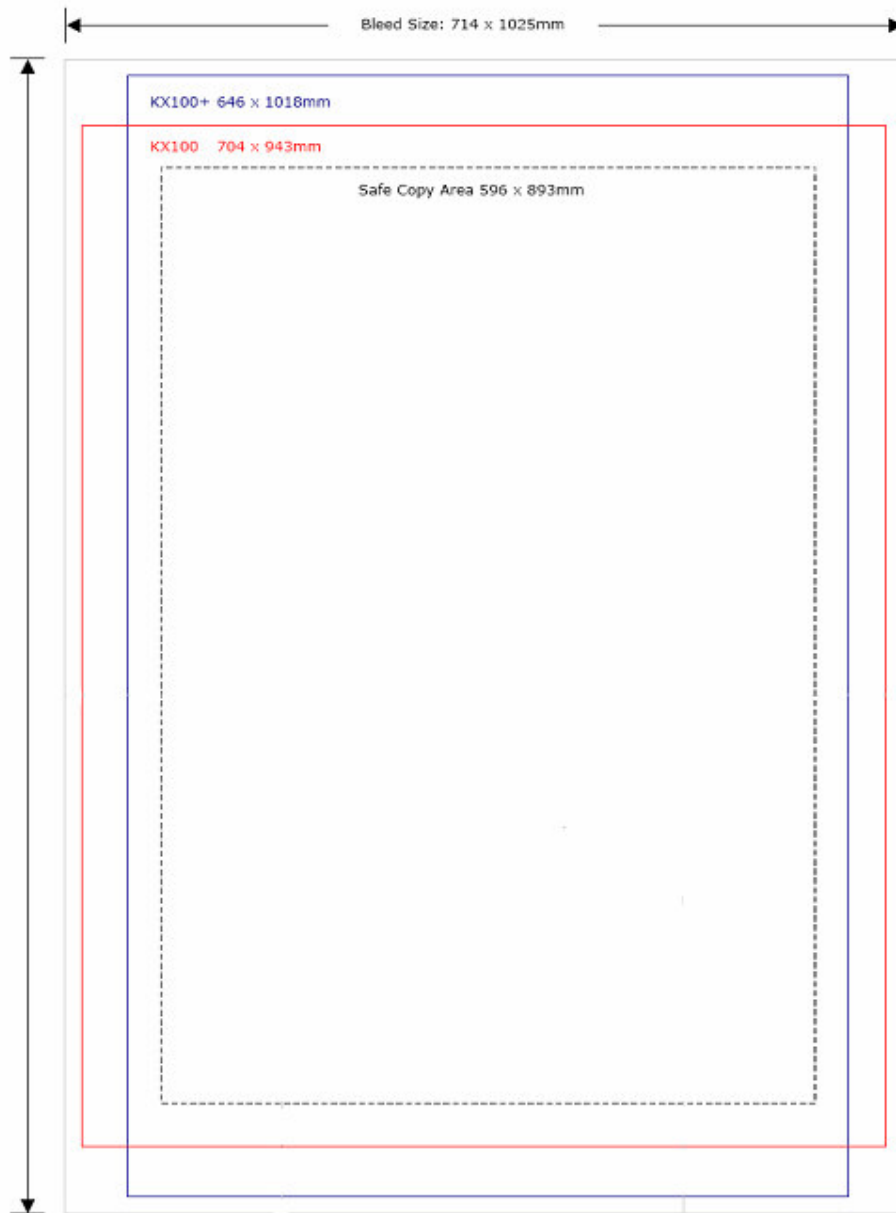


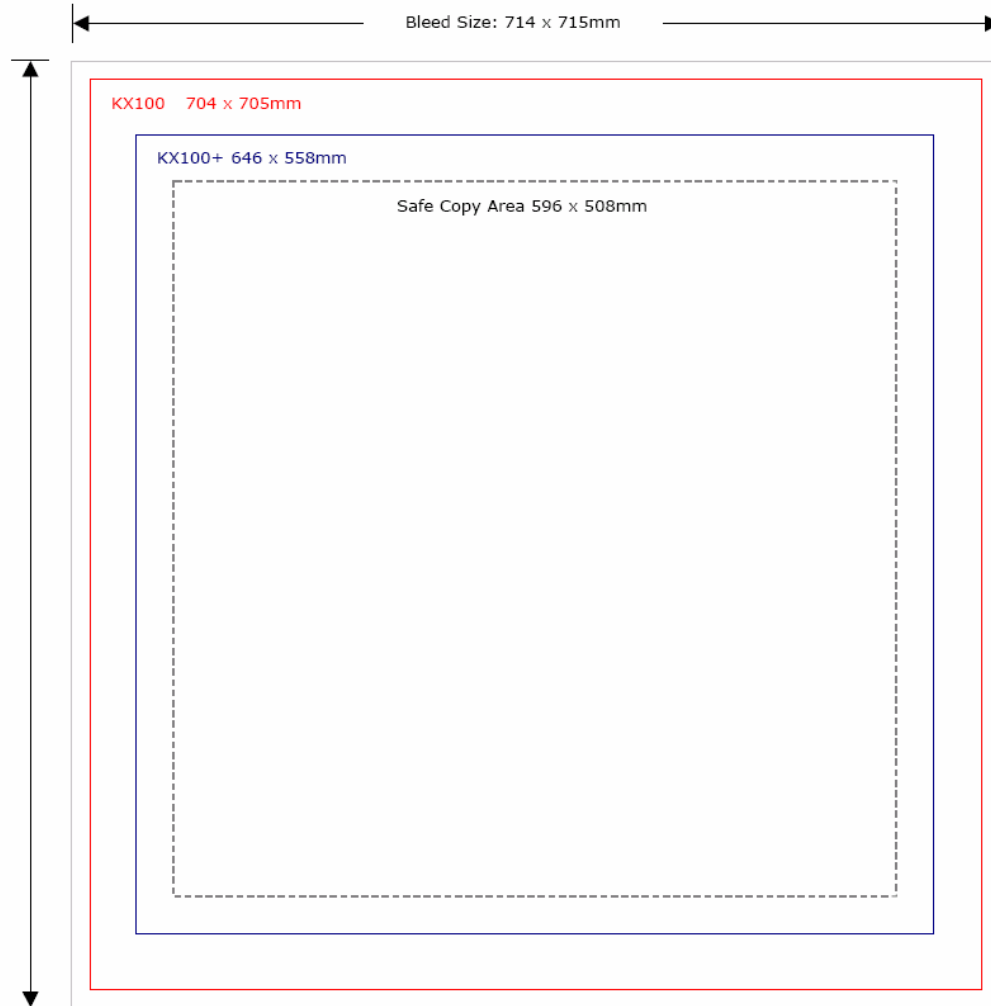
BT KIOSK

POSTER DIMENSIONS AND SPECIFICATION

1.0 TOP PANEL

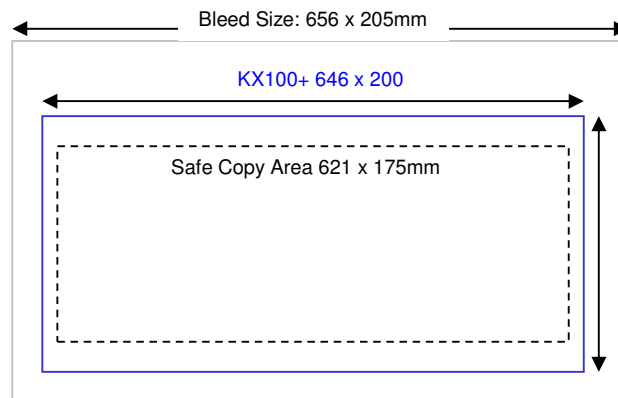


2.0 BOTTOM PANEL

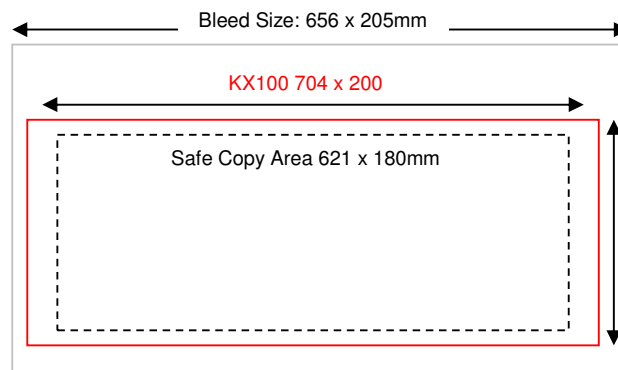


3.0 TOP PANEL STRIPS

KX100+



KX 100



4.0 FORMAT

Artwork can be produced in any industry standard package -

- Quark Xpress - please include all fonts used
- Adobe Illustrator - should be converted to 'outlines'
- Adobe Photoshop - should be converted to 'outlines'
- Freehand

All scans and bitmaps images should be converted to CMYK, 100% at 400

For campaigns that utilise both kiosk types 2 sets of Artwork must be produced, as detailed above.

5.0 DOCUMENT DETAILS

| | |
|------------------------------------|---|
| Title | Glass Specification Document |
| Location of electronic copy | Shared Folders: \BT plc\Computing\Payphones\Teams\ Directory : Multimedia\content team Filename: BT Payphones Glass Specifications Format: MS Word 97+ |
| Location of paper copy | Electronic Only. |
| Owner | A Head |
| Change Authority | A Head |
| Distribution | For reference by anyone for content development purposes. |

5.1 Change Log

| Issue | Description / Alterations | Date | Issued By |
|--------------|----------------------------------|-------------|------------------|
| Issue draft | First recorded | 27/01/2005 | A Head |
| | | | |